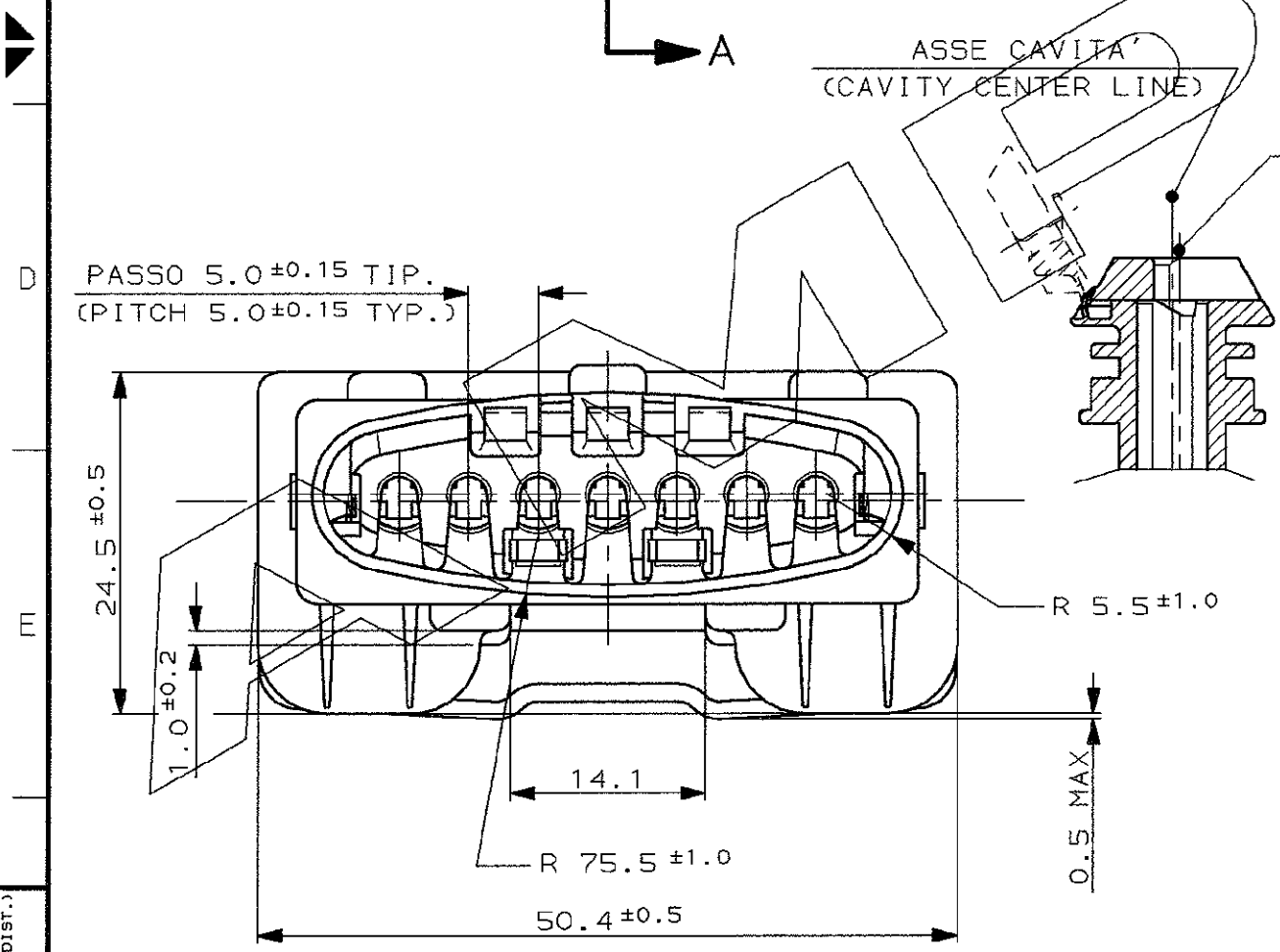
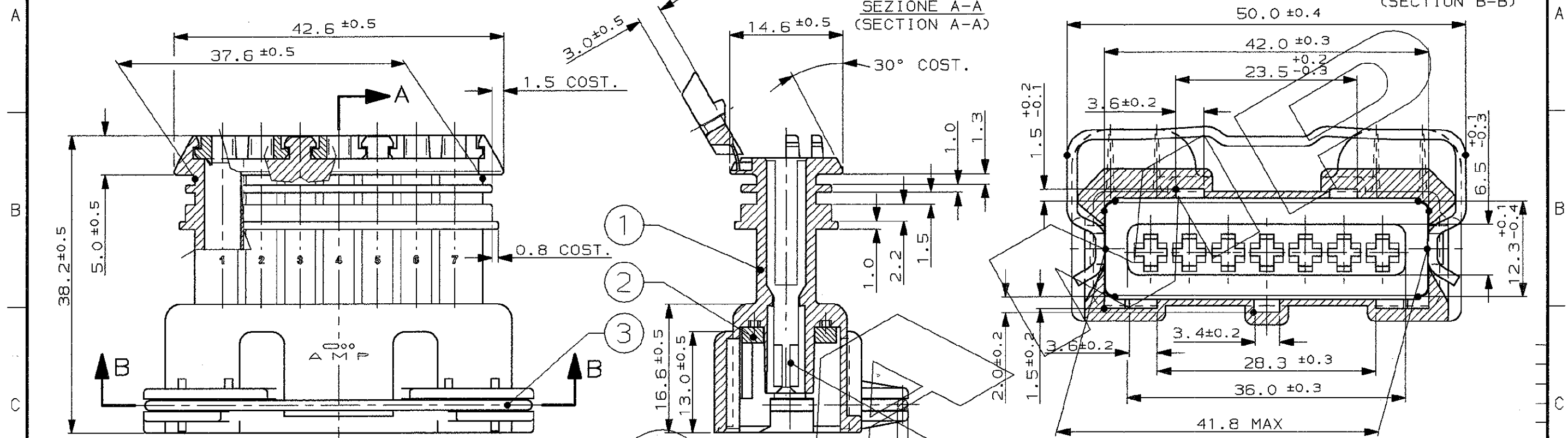


CONNETTORE TIPO A (CON MOLLA DI RITEGNO ESTERNA)
CONNECTOR TYPE A (WITH EXTERNAL SPRING)

SCALA NON IMPEGNATIVA (DO NOT SCALE)
DIMENSIONI IN mm METRIC
PROIEZIONE EUROPEA (EUROPEAN PROJECTION)

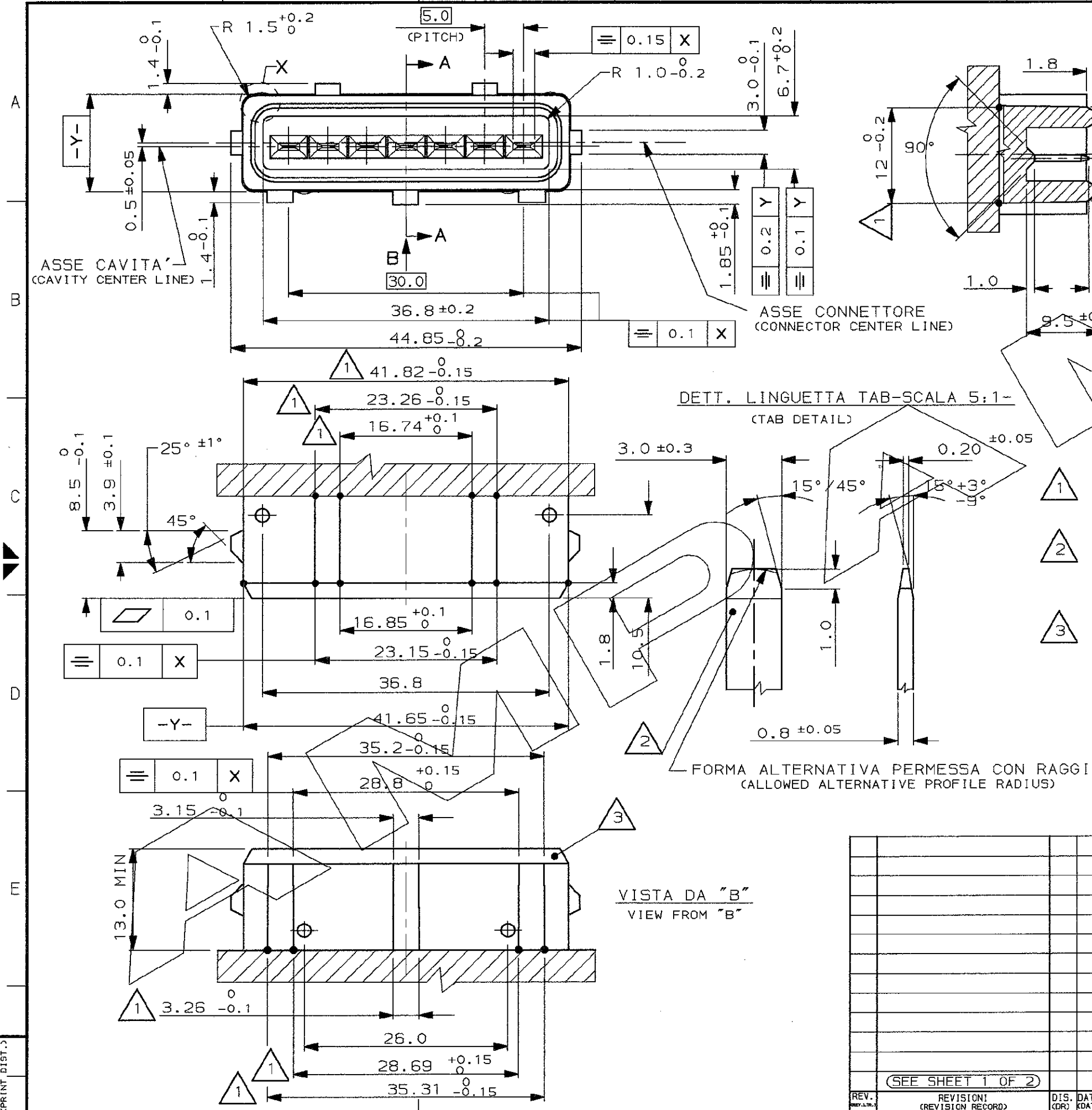


ASSE CAVITA' (CAVITY CENTER LINE)
ASSE CONNETTORE (CONNECTOR CENTER LINE)
ØFILO 1.3 (WIRE Ø1.3)

TIP. CAVITA' PER TERMINALI AMP JPT P/N 929939-...
AMP P/N 828904-1, 828905-1, 282536-1.
TAPPO CAVITA' P/N 828906-2
CTYP. CAV. FOR JPT CONT. P/N 929939-... A/O 929937-... AND REL.
SINGLE WIRE SEAL P/N 828904-1, 828905-1, 282536-1
CAVITY PLUG P/N 828906-2

ROSSO (RED)	-----				
GIALLO (YELLOW)	-----				
MARRONE (BROWN)	-----				
BLU (BLUE)	-----	3	//////	ACCIAIO INOX (STAINLESS STEEL)	MOLLA (SPRING)
VERDE (GREEN)	-----				
NATURALE (NATURAL)	-----	2	NATURALE (NATURAL)	GOMMA (RUBBER)	GUARNIZIONE (RUBBER GASKET)
GRIGIO (GREY)	282194-2				
NERO (BLACK)	282194-1	1	//////	PA 6.6 C.VETRO (PA 6.6 G.F.)	BLOCCHETTO (HOUSING)
COLORE (COLOR)	NUMERO (PART. N°)	N° (ITEM)	FINITURA / COLORE (FINISH / COLOUR)	MATERIALE (MATERIAL)	DESCRIZIONE (DESCRIPTION)
		CUSTOMER DWG. FOR REFERENCE ONLY		DISEGNO PER CLIENTE SOLO PER RIFERIMENTO	
L	AGGIOR. CON ET00-0221-96 REVISED FOR ET00-0221-96	A.F.	27-5 96	THIS DRAWING IS UNPUBLISHED RELEASE FOR PUBLICATION 19	
H	AGGIOR. CON ET00-0108-95 REVISED FOR ET00-0108-95	M.P.	11-5 95	© COPYRIGHT 19 BY AMP INCORPORATED, HARRISBURG, PA. ALL INTERNATIONAL RIGHT RESERVED. AMP PRODUCTS MAY BE COVERED BY U.S. AND FOREIGN PATENT AND/OR PATENT PENDING	
G	AGG. FOGLIO 2 (ADDED SH.2)	R.M.	3-8 92	TOLLERANZE: SE NON DIVERSAMENTE SPECIFICATO (TOLERANCES, UNLESS OTHERWISE SPECIFIED)	DIAM. ISOLANTE (INS. DIA. RANGE) 1.5-3.0 (REDUCED INS. CABLE)
F	IN PRODUZIONE (IN PRODUCTION)	R.M.	13-10 92	± 0.3	RANGO FILO (WIRE RANGE) 0.5-2.5 mm ² ***
E	AGGIORNATO (REVISED)	R.M.	26-5 92	ANGOLI (ANGLES) ± 2°	AMP ITALIA S.p.A. Corso F.lli Cervi, 15 COLLENO (TORINO)
D	AGGIORNATO (REVISED)	R.M.	17-3 92	DIS. NOV. 9. '90 (DR.)	
C	AGGIORNATO (REVISED)	R.M.	2-3 92	DESCRIZIONE (DESCRIPTION) 7 W. SPLASH PROOF CONN. ASS'Y with SECONDARY LOCK	
B	AGGIORNATO (REVISED)	R.M.	4-9 91	Ennio CIN... C. TARTARI	
A	WAS P/N C-90-51265-70	C.E.	2.91	LOC. SIZE NUMERO (DWG NO) REV. FOGLIO (SHEET) DI (CF)	
REV.	REVISIONI (REVISION RECORD)	DIS. (DR)	DATA (DATE)	I A3 C-282194 L 1 12	

DISTRIBUZIONE (PRINT DIST.)



- 1 QUOTE APPLICABILI PER SFORMATURA PEZZO (DRAFT PERMITTED TO FACILITATE REMOVAL OF PART FROM THE MOULD)
- 2 MATERIALE LINGUETTE: LEGA DI RAME STAGNATA, ES. OTTONE STAGNATO. (TAB CONTACT MATERIAL: TIN PLATED COPPER ALLOY. E.G. BRASS TIN PLATED)
- 3 MATERIALE BLOCCHETTO: TERMOPLASTICO CARICATO FIBRA VETRO. (HOUSING MATERIAL: THERMOPLASTIC, GLASS FIBER FILLED)

FINITURA / COLORE (FINISH / COLOUR)	MATERIALE (MATERIAL)	NUMERO (PART NUMBER)
CUSTOMER DWG. FOR REFERENCE ONLY	DISEGNO PER CLIENTE SOLO PER RIFERIMENTO	19
THIS DRAWING IS UNPUBLISHED		RELEASE FOR PUBLICATION
© COPYRIGHT 19 BY AMP INCORPORATED, HARRISBURG, PA. ALL INTERNATIONAL RIGHT RESERVED. AMP PRODUCTS MAY BE COVERED BY U.S. AND FOREIGN PATENT AND/OR PATENT PENDING		
TOLLERANZE, SE NON DIVERSAMENTE SPECIFICATO (TOLERANCES, UNLESS OTHERWISE SPECIFIED)	DIAM. ISOLANTE (INS. DIA. RANGE)	RANGO FILO (WIRE RANGE)
± 0.3	---	---
ANGOLI (ANGLES)	SCALA (SCALE)	
± 2°	---	
DIS. (DR.)	AMP AMP ITALIA S.p.A. Corso F.lli Cervi, 15 COLLEGNO (TORINO)	
CONT. (CHK)	DESCRIZIONE (DESCRIPTION)	
---	7 POS. SPLASH PROOF CONN. ASS'Y with SECONDARY LOCK	
APP. CARICHI (DR) (DATE)	LOC. SIZE NUMERO (DWG NO)	REV. FOGLIO (SHEET) (OF)
---	I A3 C-282194	- 2 (OF) 2

REV. (REV.)	REVISIONI (REVISION RECORD)	DIS. DATA (DR) (DATE)

DISTRIBUZIONE (PRINT DIST.)